

ledix

LED lighting fitting

RUBI



Mounting
indoor only



Mounting
in a Ø60 junction box.



Supply voltage
230 V AC

RUBI is a high quality LED fitting with decorative and application features. It is used for lighting corridors, passageways, for decorative lighting of furniture and lighting arrangement in the interior design.

The features of the fitting:

- supply voltage 230 V AC 50 / 60 Hz
- mounting in the Ø60 junction box
- excellent lighting parameters obtained by applying the highest quality LED diodes by CREE
- repeatability of the light colour
- high lighting output with minimum power consumption
- high quality and durability estimated to light continuously for five years (~40 000 h).



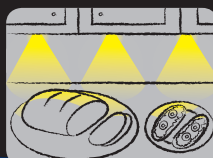
Application:



stairs



corridors, passageways



furniture, decorative lighting

zameL cet

LED lighting fitting

RUBI

IP20

230 V AC

ledix

zameL cet

Cet Lighting Sp. z o.o.

PL 43-200 Pszczyna, ul. Zielona 27, Poland

tel: +48 32 449 15 00, fax: +48 32 449 15 02

e-mail: ledix@ledix.pl, www.ledix.pl

230 V AC; IP20

weight: 118 g



Declaration of Conformity is on www.ledix.pl



The symbol means selective collecting of electrical and electronic equipment.
It is forbidden to put the used equipment together with other waste.

09-221 ENG Ver. 01

www.ledix.pl

TECHNICAL DATA

Supply voltage	230 V AC	
Power consumption	1,10 W – cold white	
	0,93 W – warm white	
	0,76 W – red	
	0,76 W – green	
	0,76 W – blue	
	cold white	warm white
Colour rendering index R_a	71	80
Colour temperature T_C [K]	5900	3100
Luminous flux Φ [lm]	38	25
Luminous efficiency [lm/W]	68	60

IP20



Protection degree suitable for indoor use only

4xLED

Light source - four LED diodes

I
const

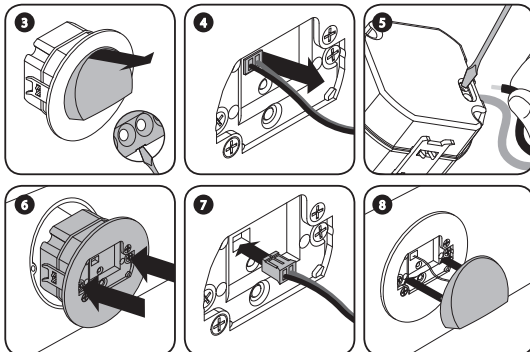
Built-in LED diode current stabilization system

MOUNTING

CAUTION! The device is designed for single-phase installation and must be installed in accordance with standards valid in a particular country. Installation, connection and control should be carried out by a qualified electrician staff, who act in accordance with the service manual and the device functions.

Fitting is designed for mounting in $\varnothing 60$ junction box.

1. Disconnect power supply by the phase fuse, the circuit-breaker or the switch- disconnector combined to the proper circuit.
2. Check if there is no voltage on connection cables by means of a special measure equipment.
3. Remove the fitting – with the help of fingers hold the control module and gently pull away the fitting from the mounting element – if necessary, use a slot drive screwdriver by inserting it into the notch in the casing.
4. Disconnect the connecting cables between the fitting and the control module.
5. Connect the installation cables into the appropriate terminals of the control module in accordance with the connection diagram.
6. Mount the control module in a $\varnothing 60$ junction box and tighten the screws.
7. Connect the fitting cables with the module mounted in $\varnothing 60$ junction box.
8. Mount the front of the fitting on the mounting element.
9. Switch on the power supply from the mains.
10. Check if the fitting works properly.



INSTALLATION EXAMPLE

